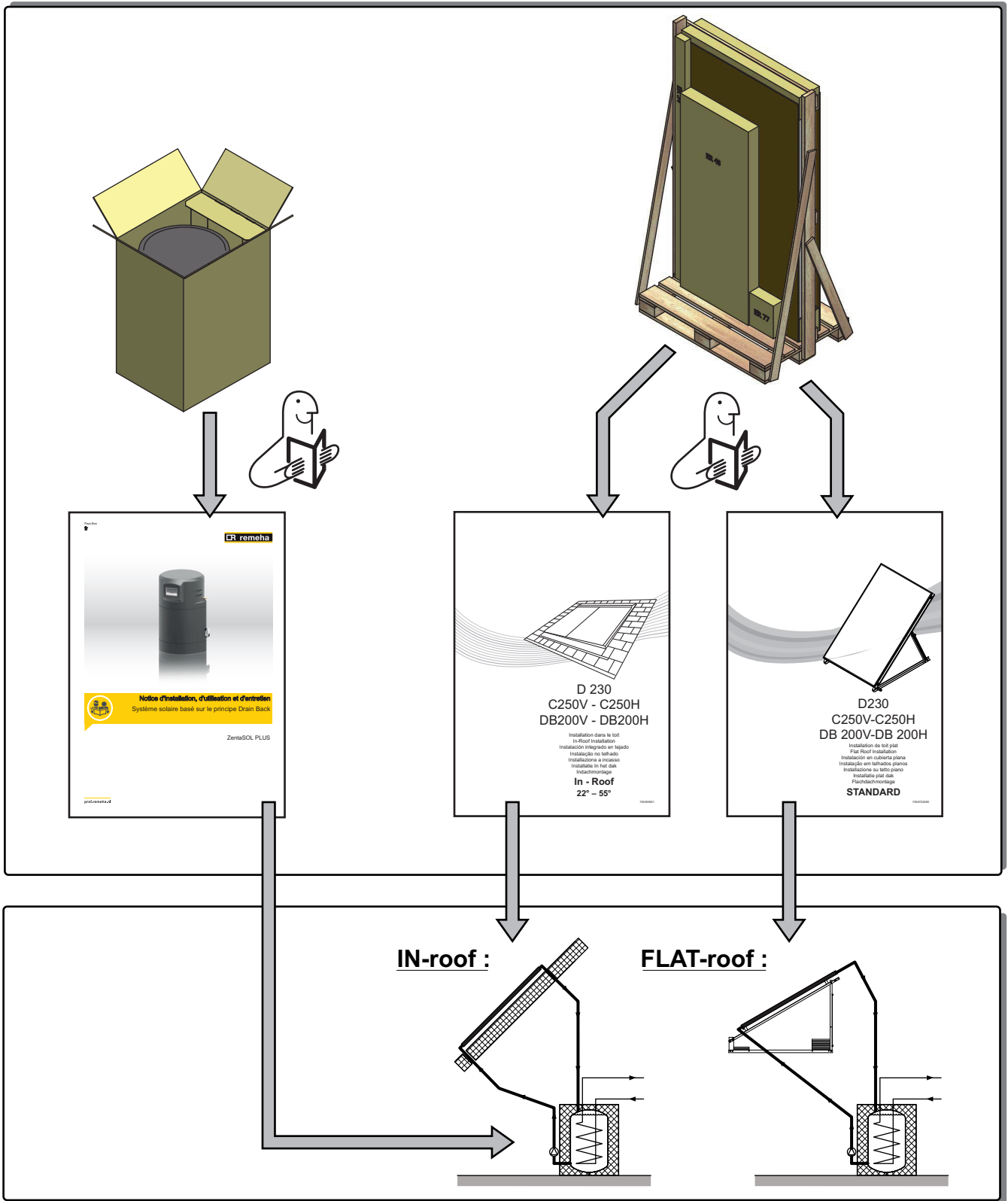


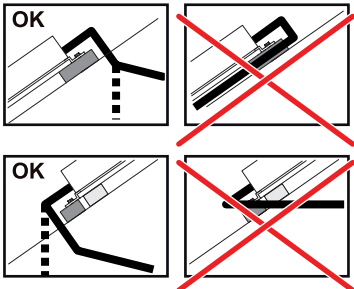
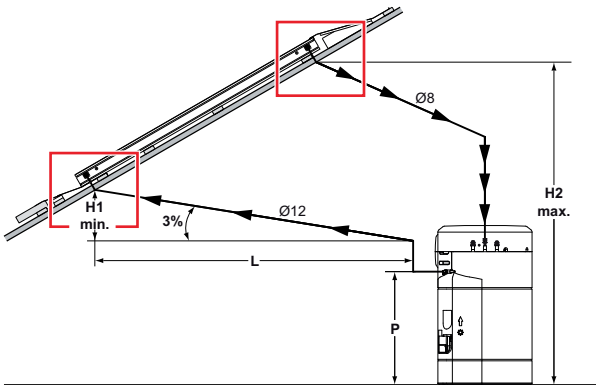
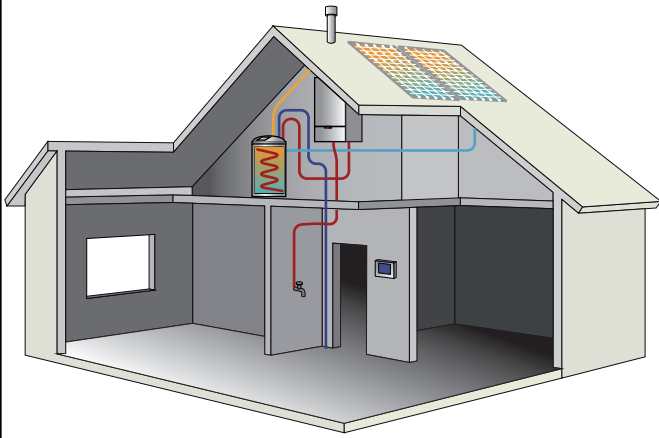
Quick Reference Guide

Only for : ZentaSOL PLUS installations



M003238-B

■ In-roof installation



Calculation of H1 min. with a minimum gradient of 3%:

$$H1 \text{ min.} = L \text{ (m)} \times 0.03$$

Maximum length of the pipe Ø 8 mm = 15 m

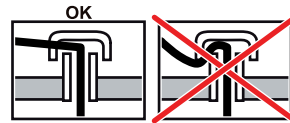
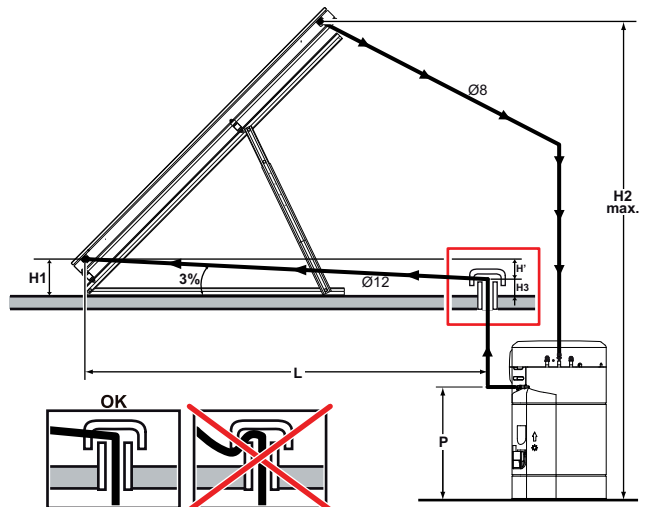
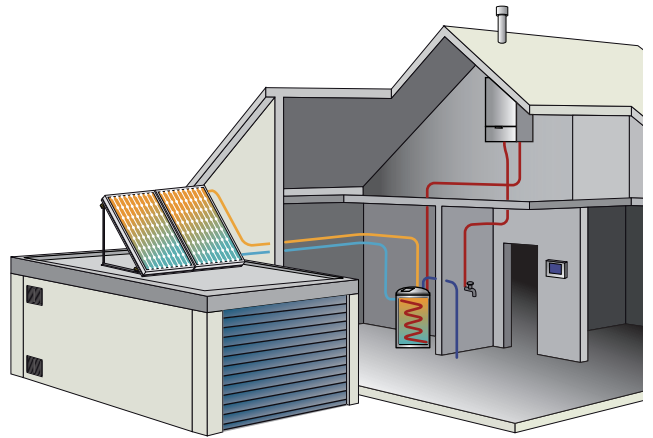
H2 max. (1 pump) = 5,5 m

H2 max. (With option pump 100013971) = 10 m

ZentaSOL Upgrade => P = 710 mm

ZentaSOL PLUS => P = 755 mm

■ Flat-roof installation



H1 = 0.18 m

Calculation of L max. with a minimum gradient of 3%

$$L_{\text{max.}} = 5.9 - H3/0.03$$

Maximum length of the pipe Ø 8 mm = 15 m

H2 max. (1 pump) = 5.5 m

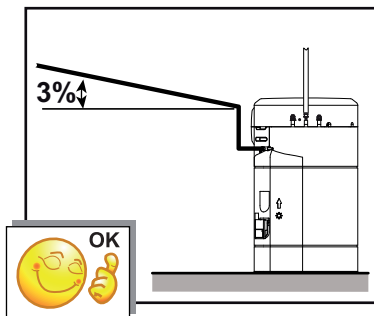
H2 max. (With option pump 100013971) = 10 m

ZentaSOL Upgrade => P = 710 mm

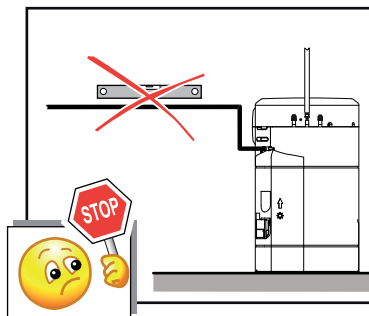
ZentaSOL PLUS => P = 755 mm



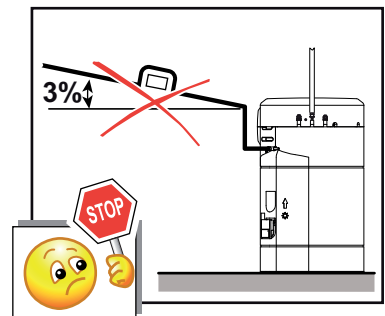
OK



Not OK



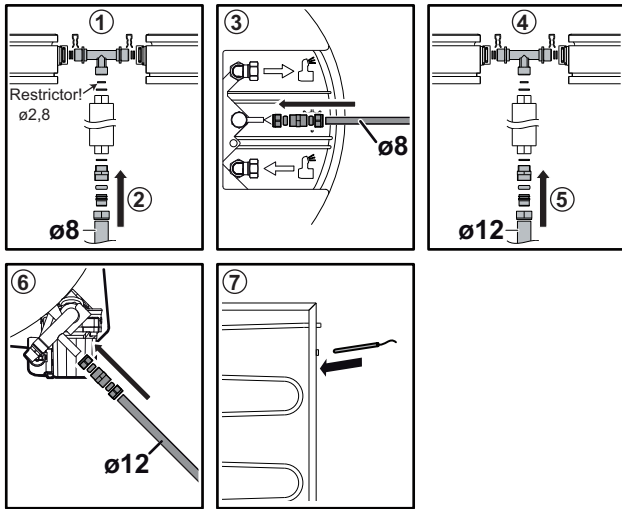
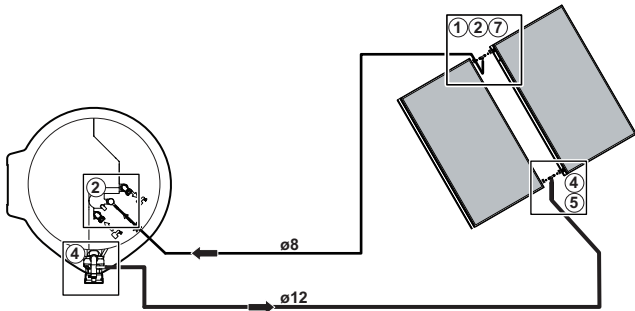
Not OK



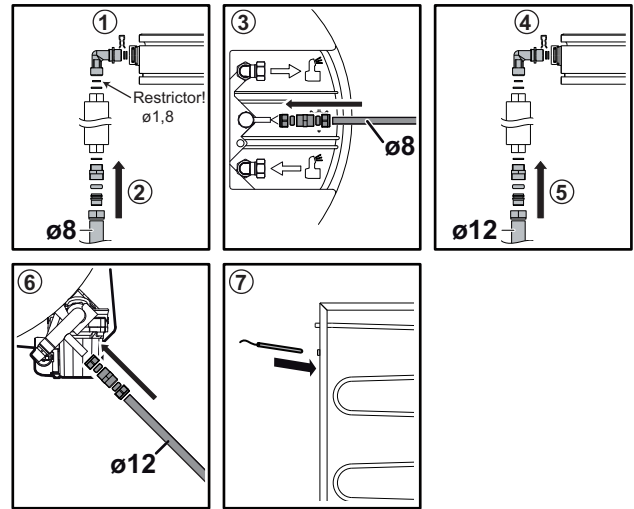
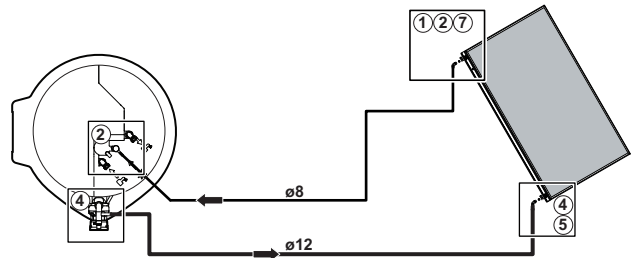
M003239-B

■ Tank / collector connection

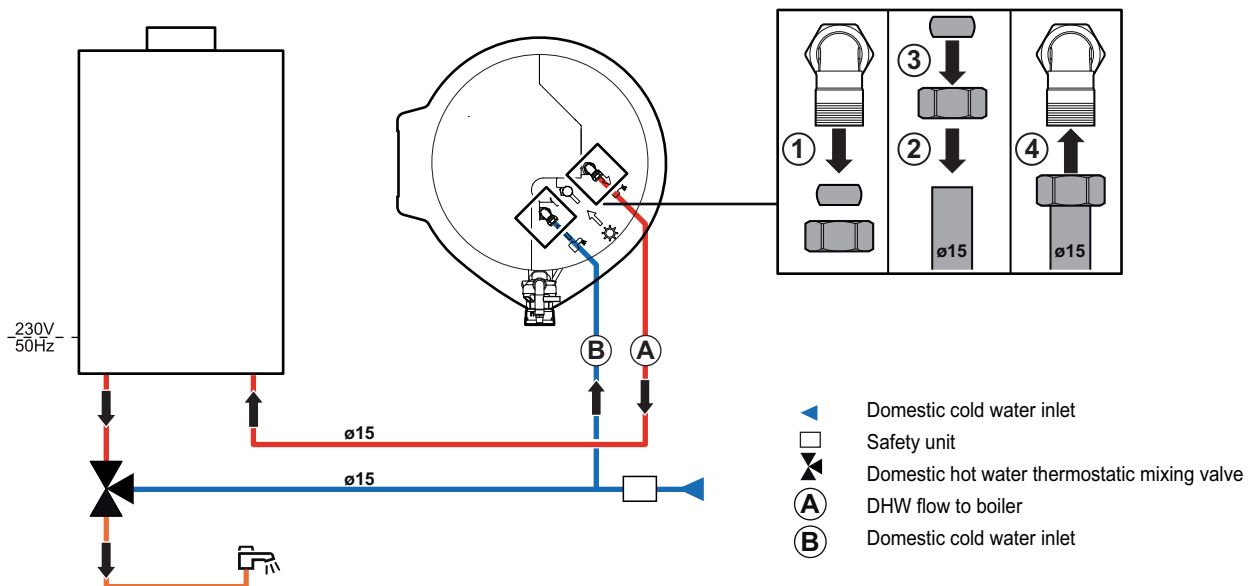
=> 2 collector system



=> 1 collector system



■ Tank / boiler connection



M003240-B

CE



AD051-AC

12/07/2017



300028903-001-03